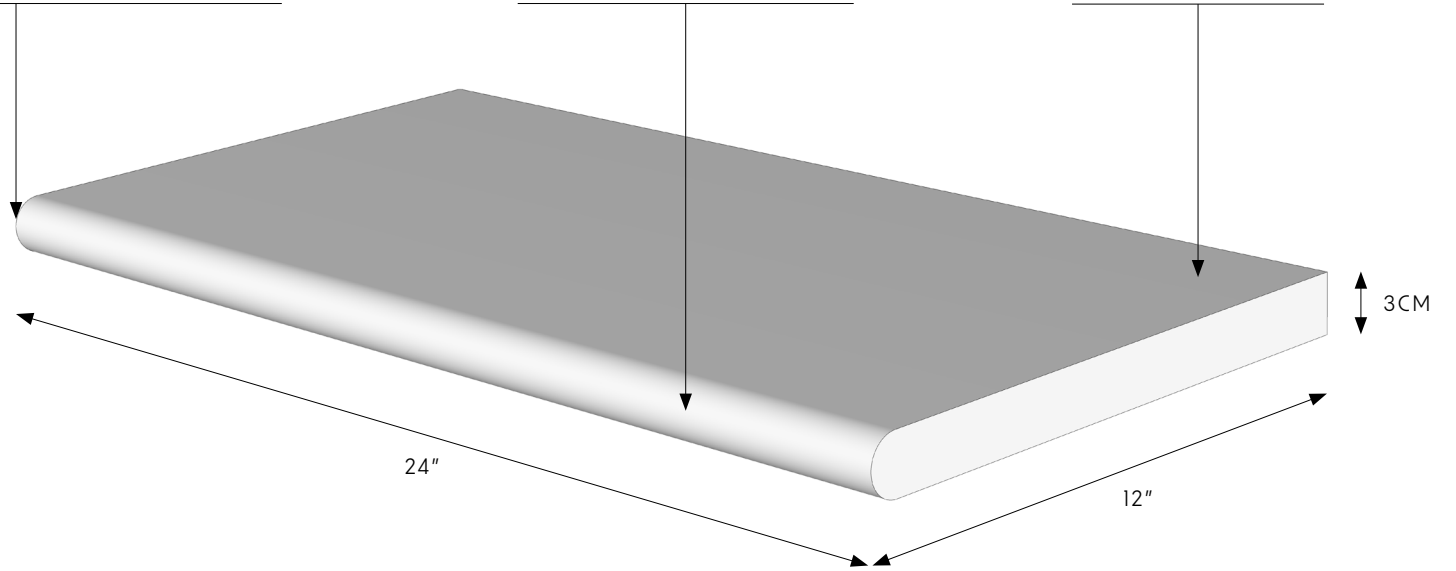


BULLNOSE EDGE ON ONE SIDE

TUMBLLED FINISH FRONT SIDE

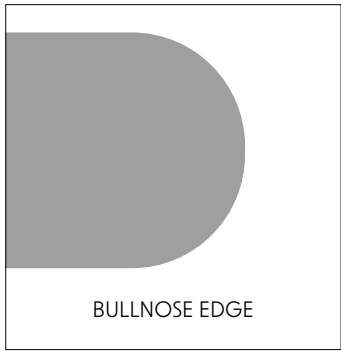
TUMBLLED FINISH TOP



ITEM NAME	AUTUMN LEAVES TRAVERTINE BULLNOSE COPING	PART NUMBER	TRVAUTLVS1224T-3BNPC
COUNTRY	TURKEY	FORMAT/ TYPE	COPING
CATEGORY	TRAVERTINE	UOM	PC
FINISH	TUMBLLED	THICKNESS	3CM
DIMENSIONS	12 X 24	WEIGHT	32 LBS
PROFILE	BULLNOSE EDGE	COLOR	TAN, GOLD, RUST, GREY, BROWN

APPLICATIONS

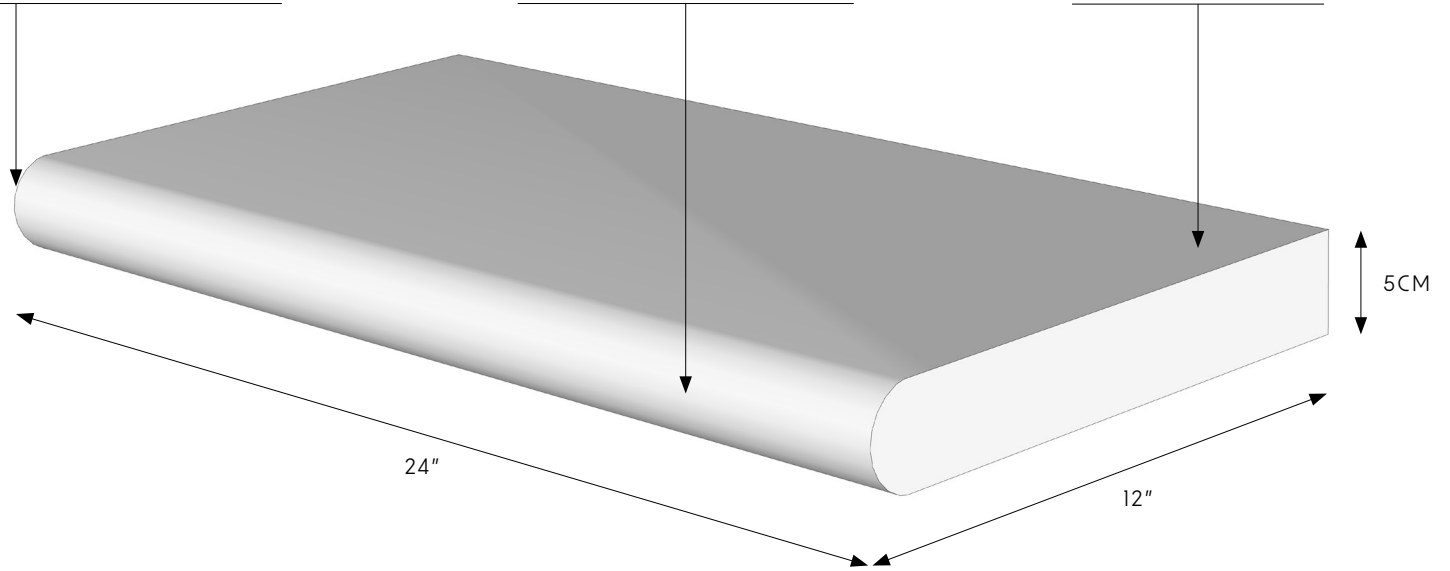
MASONRY WALLS, COLUMNS, LANDSCAPE, STEPS & POOLS



BULLNOSE EDGE ON ONE SIDE

TUMBLLED FINISH FRONT SIDE

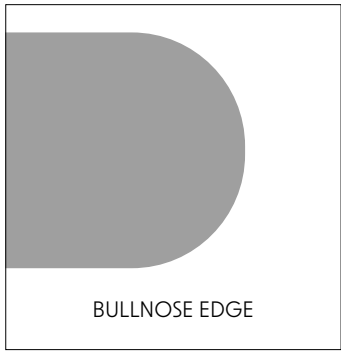
TUMBLLED FINISH TOP



ITEM NAME	AUTUMN LEAVES TRAVERTINE BULLNOSE COPING	PART NUMBER	TRVAULTVS1224T-5BNPC
COUNTRY	TURKEY	FORMAT/ TYPE	COPING
CATEGORY	TRAVERTINE	UOM	PC
FINISH	TUMBLLED	THICKNESS	5CM
DIMENSIONS	12 X 24	WEIGHT	53 LBS
PROFILE	BULLNOSE EDGE	COLOR	TAN, GOLD, RUST, GREY, BROWN

APPLICATIONS

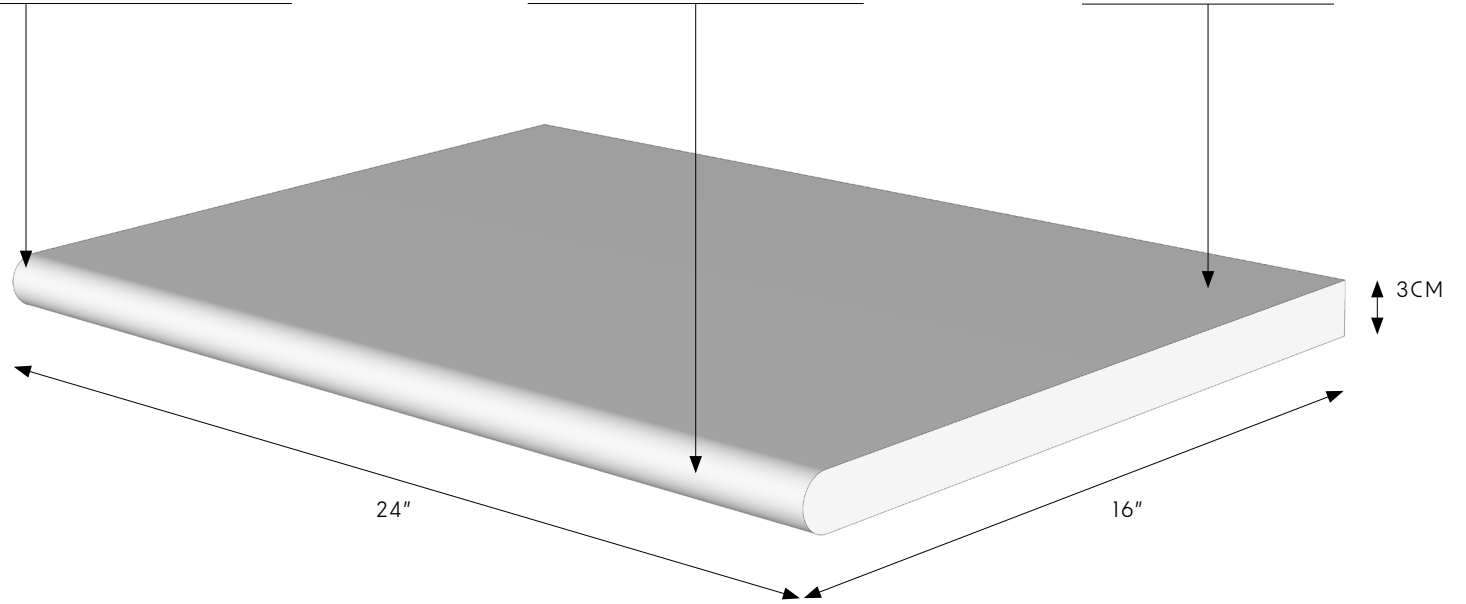
MASONRY WALLS, COLUMNS, LANDSCAPE, STEPS & POOLS



BULLNOSE EDGE ON ONE SIDE

TUMBLLED FINISH FRONT SIDE

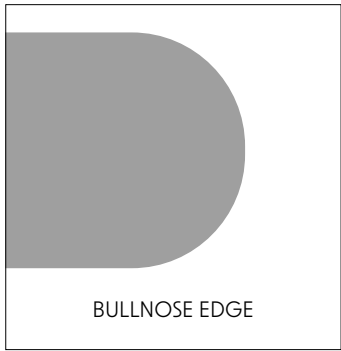
TUMBLLED FINISH TOP



ITEM NAME	AUTUMN LEAVES TRAVERTINE BULLNOSE COPING	PART NUMBER	TRVAUTLVS1624T-3BNPC
COUNTRY	TURKEY	FORMAT/ TYPE	COPING
CATEGORY	TRAVERTINE	UOM	PC
FINISH	TUMBLLED	THICKNESS	3CM
DIMENSIONS	16 X 24	WEIGHT	43 LBS
PROFILE	BULLNOSE EDGE	COLOR	TAN, GOLD, RUST, GREY, BROWN

APPLICATIONS

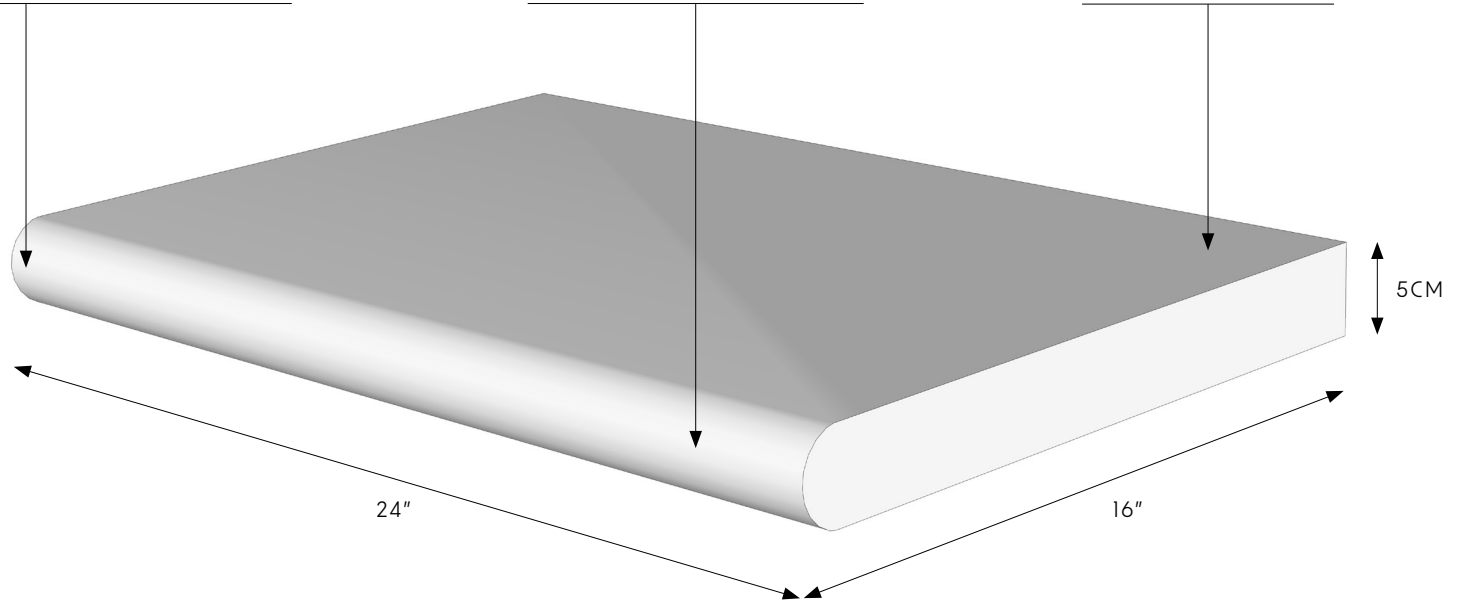
MASONRY WALLS, COLUMNS, LANDSCAPE, STEPS & POOLS



BULLNOSE EDGE ON ONE SIDE

TUMBLLED FINISH FRONT SIDE

TUMBLLED FINISH TOP



ITEM NAME	AUTUMN LEAVES TRAVERTINE BULLNOSE COPING	PART NUMBER	TRVAUTLVS1624T-5BNPC
COUNTRY	TURKEY	FORMAT/ TYPE	COPING
CATEGORY	TRAVERTINE	UOM	PC
FINISH	TUMBLLED	THICKNESS	5CM
DIMENSIONS	16 X 24	WEIGHT	64 LBS
PROFILE	BULLNOSE EDGE	COLOR	TAN, GOLD, RUST, GREY, BROWN

APPLICATIONS

MASONRY WALLS, COLUMNS, LANDSCAPE, STEPS & POOLS